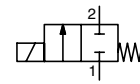




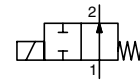
# SOLENOID VALVES

direct operated  
for high pressure fluids  
3/8

NC



NO



2/2  
Series  
263

## FEATURES

- High operating pressure
- RoHS compliance
- AC/DC interchangeability of the coil (10,1 W/11,6 W and 17,1 W/22,6 W)
- Valves do not require a minimum operating pressure
- Large selection of seal materials providing wide chemical compatibility
- The solenoid valves satisfy all relevant EC directives

## GENERAL

**Differential pressure** See «SPECIFICATIONS» [1 bar =100 kPa]  
**Maximum viscosity** 65 cSt (mm<sup>2</sup>/s)  
**Response time** 5 - 25 ms

fluids (*)	temperature range (TS)	seal materials (*)
air, inert gas, water, oil	-25°C to +80°C	NBR (nitrile)

## CONSTRUCTION

### MATERIALS IN CONTACT WITH FLUID

(\*) Ensure that the compatibility of the fluids in contact with the materials is verified

<b>Body</b>	Brass	Stainless steel, AISI 304
<b>Shading coil</b>	Copper	Silver
<b>Core tube</b>	Stainless steel, AISI 305	
<b>Core and plugnut</b>	Stainless steel, AISI 430F	
<b>Springs</b>	Stainless steel, AISI 302	
<b>Seal</b>	NBR	
<b>Disc</b>	NBR	
<b>Core guide</b>	CA	

## ELECTRICAL CHARACTERISTICS

<b>Coil insulation class</b>	F (AC) or H (DC)
<b>Connector</b>	Spade plug (cable Ø 6-10 mm)
<b>Connector specification</b>	ISO 4400 / EN 175301-803, form A
<b>Electrical safety</b>	IEC 335
<b>Electrical enclosure protection</b>	Moulded IP65 (EN 60529)
<b>Standard voltages</b>	DC (=) : 24V - 48V
(Other voltages and 60 Hz on request)	AC (~) : 24V - 48V - 115V - 230V/50 Hz

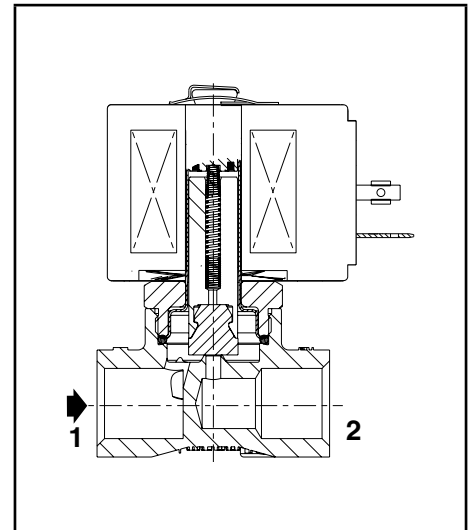
operator ambient temperature range (TS) (°C)	power ratings			replacement coil	
	inrush ~ (VA)	holding ~ (VA)	hot/cold = (W)	~ 230 V/50 Hz	= 24 V DC
-25 to +55	30	16	8,1	7,7/ 10,6	238213-059 238513-006
	45	20	11,1	12,5/18,6	238213-157 238513-106
	50	25	10,1	8,5/11,6	238613-059 238913-006
	70	40	17,1	15,1/22,6	238613-159 238913-106

## OPTIONS

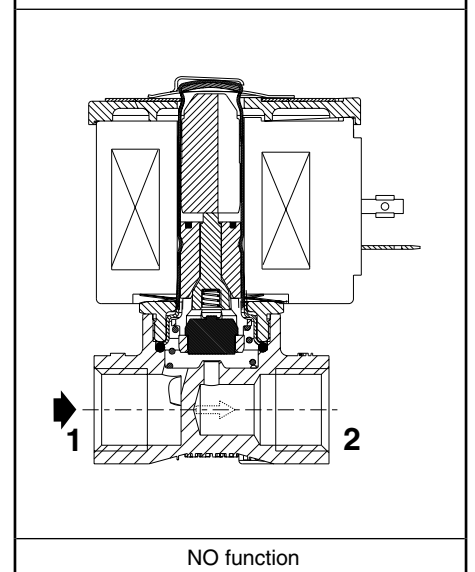
<b>Seals and disc (*)</b> <sup>(1)</sup> (fluid temperature range)	FPM (fluoroelastomer): -15°C to +100°C (coil class F) -15°C to +120°C (coil class H) EPDM (ethylene-propylene), 0°C to +100°C CR (chloroprene), 0°C to +80°C PTFE: -15°C to +100°C (coil class F) -15°C to +120°C (coil class H)
Plug with visual indication and peak voltage suppression or with cable length of 2 m (see Solenoids, Coils & Accessories section)	

(\*) Ensure that the compatibility of the fluids in contact with the materials is verified.

<sup>(1)</sup> The minimum ambient temperature of the solenoid valve is determined by the limitations of minimum temperature indicated.



NC function



NO function

**SPECIFICATIONS**

pipe size	orifice size (mm)	flow coefficient Kv (m <sup>3</sup> /h)(l/min)	operating pressure differential (bar) max. (PS)						power coil (W)		thread type	dimensions / type (1)	15-DIGIT PRODUCT CODE		voltage code							
			min.						~	=			brass	stainless steel	24 V/50 Hz	48 V/50 Hz	115 V/50 Hz	230 V/50 Hz	24 V/DC	48 V/DC		
			air (*)	water (*)	oil (*)	~	=	~														
<b>WITHOUT MANUAL OPERATOR</b>																						
<b>NC - Normally closed, NBR seal and disc</b>																						
3/8	3,2	0,3	5	0	12	8	12	6,5	6	5	8,1	10,6	G*	01	E263K002S1N00	-						
					18	10	17	8	9,5	7	11,1	18,6	G*	01	E263K003S1N00	-						
					23	7,5	20	7	14	5	10,1	11,6	NPT	02	E263K232S1N00	E263K190S1N00						
					34	17	26	17	24	10	17,1	22,6	G*	02	E263K115S1N00	E263K191S1N00						
	4	0,45	7,5	0	14	3,5	12	3,5	6,5	3	10,1	11,6	NPT	02	E263K200S1N00	E263K331S1N00						
					20	7,5	14	7,5	13	6	17,1	22,6	G*	02	E263K118S1N00	E263K193S1N00	FL	FR	FT	F8	H1	H9
					3,5	2	3,5	2	2	1,9	8,1	10,6	NPT	02	E263K119S1N00	-						
					6,5	2	5,5	2	4,5	2	10,1	11,6	G*	02	E263K124S1N00	E263K195S1N00						
	5,6	0,63	10,5	0	8,5	4	6,5	4	6,5	4	17,1	22,6	NPT	02	E263K206S1N00	E263K332S1N00						
					2	1,6	2	1,5	1,4	1,3	8,1	10,6	G*	01	E263K054S1N00	-						
					4	-	4	-	3	-	10,1	-	G*	02	E263K125S1N00	E263K197S1N00	FL	FR	FT	F8	-	-
					6,5	3	5,5	3	4,5	3	17,1	22,6	NPT	02	E263K210S1N00	E263K333S1N00	FL	FR	FT	F8	H1	H9
	7,1	0,76	12,7	0	2	1,6	2	1,5	1,4	1,3	8,1	10,6	G*	01	E263K054S1N00	-						
					4	-	4	-	3	-	10,1	-	G*	02	E263K125S1N00	E263K197S1N00	FL	FR	FT	F8	-	-
					6,5	3	5,5	3	4,5	3	17,1	22,6	NPT	02	E263K210S1N00	E263K333S1N00	FL	FR	FT	F8	H1	H9
					8,5	4	6,5	4	6,5	4	17,1	22,6	NPT	02	E263K206S1N00	E263K332S1N00						
<b>WITH MAINTAINED MANUAL OPERATOR</b>																						
<b>NC - Normally closed, NBR seal and disc</b>																						
3/8	3,2	0,3	5	0	11	6,5	10	6,5	8,5	4,5	10,1	11,6	G*	02	E263K070S1N00	E263K080S1N00						
					14	9	13	7,5	12	6,5	17,1	22,6	NPT	02	E263K100S1N00	E263K104S1N00						
					6	4	6	3,5	4,5	3	10,1	11,6	G*	02	E263K071S1N00	E263K081S1N00						
					8	5	7,5	4	7	3,5	17,1	22,6	NPT	02	E263K101S1N00	E263K105S1N00						
	4	0,47	7,8	0	3	2	3	1,7	2,5	1,7	10,1	11,6	G*	02	E263K072S1N00	E263K082S1N00						
					4	2	3,5	2	3,5	2,1	17,1	22,6	NPT	02	E263K102S1N00	E263K106S1N00	FL	FR	FT	F8	H1	H9
					2	1,3	2	1,1	2	1,1	10,1	11,6	G*	02	E263K073S1N00	E263K083S1N00						
					2,5	1,3	2,5	1,1	2,5	1,1	17,1	22,6	NPT	02	E263K103S1N00	E263K107S1N00						
	5,6	0,72	12	0	2	1,3	2	1,1	2	1,1	10,1	11,6	G*	02	E263K073S1N00	E263K083S1N00						
					2,5	1,3	2,5	1,1	2,5	1,1	17,1	22,6	NPT	02	E263K103S1N00	E263K107S1N00						
					6,5	2	5,5	2	4,5	2	10,1	11,6	G*	02	E263K124S1N01	E263K195S1N01						
					8,5	4	6,5	4	6,5	4	17,1	22,6	NPT	02	E263K206S1N01	E263K332S1N01						
	7,1	0,83	13,8	0	4	-	4	-	3	-	10,1	-	G*	02	E263K125S1N01	E263K197S1N01	FL	FR	FT	F8	-	-
					6,5	3	5,5	3	4,5	3	17,1	22,6	NPT	02	E263K210S1N01	E263K333S1N01	FL	FR	FT	F8	H1	H9
					2	1,3	2	1,1	2	1,1	10,1	11,6	G*	02	E263K073S1N00	E263K083S1N00						
					2,5	1,3	2,5	1,1	2,5	1,1	17,1	22,6	NPT	02	E263K103S1N00	E263K107S1N00						

(1) For dimensions, see drawing(s) for each construction type on the following page(s).  
 (\*) Ensure that the compatibility of the fluids in contact with the materials is verified.

### 15-DIGIT PRODUCT CODE

**E 263 K 002 S1 N00 H1**

**Thread connection**  
**E** = ISO 228/1 & ISO 7/1 (combination thread)  
**8** = NPT (SAE 71051)

**Product series**  
**263**

**Revision letter**  
**K** = Initial release

**Valves version**

**Voltage - class**  
**FL** = 24 V / 50 Hz - class F  
**FR** = 48 V / 50 Hz - class F  
**FT** = 115 V / 50 Hz - class F  
**F8** = 230 V / 50 Hz - class F  
**H1** = 24 V DC - class H  
**H9** = 48 V DC - class H

**Options**  
**Without manual operator**  
**N00** = NBR disc and seals  
**V00** = FPM disc and seals  
**E00** = EPDM disc and seals  
**J00** = CR disc and seals  
**T00** = PTFE disc and seals <sup>(1)</sup>  
<sup>(1)</sup> (Max. operating pressure limited to 75% of standard value)

**With maintained manual operator**  
**N01** = NBR disc and seals  
**V01** = FPM disc and seals  
**E01** = EPDM disc and seals  
**J01** = CR disc and seals

**Electrical interface**  
**S1** = With spade plug connector

### SPARE PARTS KITS CODE (\*)

		SPARE PARTS KITS CODE (*)											
		AC (~)					DC (=)						
		NBR	FPM	EPDM	CR	PTFE	NBR	FPM	EPDM	CR	PTFE		
	E263K002	M200001	N00	V00	E00	J00	T00	M200005	N00	V00	E00	J00	T00
	E263K003	M200001	N00	V00	E00	J00	T00	M200006	N00	V00	E00	J00	T00
	E263K054	M200020	N00	V00	E00	J00	T00	M200008	N00	V00	E00	J00	T00
	E263K070	M200016	N00	V00	E00	J00	T00	M200032	N00	V00	E00	J00	T00
	E263K071	M200017	N00	V00	E00	J00	T00	M200033	N00	V00	E00	J00	T00
	E263K072	M200018	N00	V00	E00	J00	T00	M200034	N00	V00	E00	J00	T00
	E263K073	M200019	N00	V00	E00	J00	T00	M200035	N00	V00	E00	J00	T00
	E263K080/081/082/083	M200018	N00	V00	E00	J00	T00	M200034	N00	V00	E00	J00	T00
	E263K100/101/102/103	M200022	N00	V00	E00	J00	T00	M200038	N00	V00	E00	J00	T00
	E263K104/105/106/107	M200040	N00	V00	E00	J00	T00	M200040	N00	V00	E00	J00	T00
	E263K115/118	M200007	N00	V00	E00	J00	T00	M200007	N00	V00	E00	J00	T00
	E263K119	M200001	N00	V00	E00	J00	T00	M200007	N00	V00	E00	J00	T00
	E263K124/125	M200007	N00	V00	E00	J00	T00	M200007	N00	V00	E00	J00	T00
	E263K190/191/193	M200008	N00	V00	E00	J00	T00	M200008	N00	V00	E00	J00	T00
	E263K195/197	M200008	N00	V00	E00	J00	T00	M200008	N00	V00	E00	J00	T00
	E263K197	M200008	N00	V00	E00	J00	T00	M200008	N00	V00	E00	J00	T00
	E263K200/206/210/232	M200007	N00	V00	E00	J00	T00	M200007	N00	V00	E00	J00	T00
	E263K331/332/333	M200008	N00	V00	E00	J00	T00	M200008	N00	V00	E00	J00	T00
	8263K080/081/082/083	M200018	N00	V00	E00	J00	T00	M200034	N00	V00	E00	J00	T00
	8263K104/105/106/107	M200040	N00	V00	E00	J00	T00	M200040	N00	V00	E00	J00	T00
8263K190/191/193	M200008	N00	V00	E00	J00	T00	M200008	N00	V00	E00	J00	T00	
8263K195/197	M200008	N00	V00	E00	J00	T00	M200008	N00	V00	E00	J00	T00	
8263K331/332/333	M200008	N00	V00	E00	J00	T00	M200008	N00	V00	E00	J00	T00	

(\*) Ensure that the compatibility of the fluids in contact with the materials is verified.

### ACCESSORIES CODE

	Mounting bracket Steel version (AISI 1010 / 1.1121)	M200094A00
	Mounting bracket Stainless steel version (AISI 304 / 1.4301)	M200095A00

### INSTALLATION

- The solenoid valves can be mounted in any position without affecting operation
- Solenoid valves have 2 mounting holes
- Pipe connections 1/4 (G\*) have standard combination thread according to ISO 228/1 and ISO 7/1. Pipe connections G 1/8 have standard thread according to ISO 228/1
- Pipe connection identifier is 8 = NPT (SAE 71051)
- Installation/maintenance instructions are included with each valve

### DIMENSIONS (mm), WEIGHT (kg)



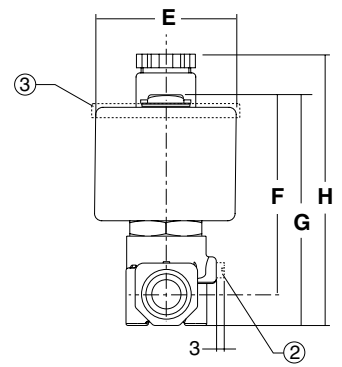
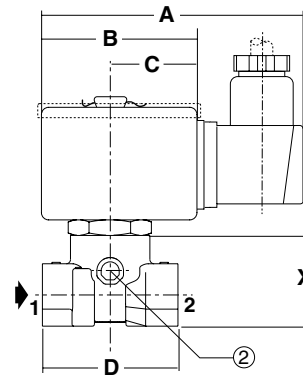
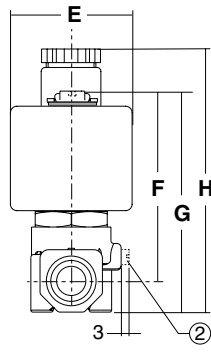
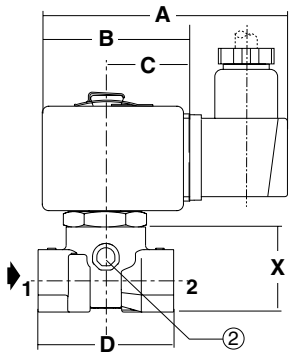
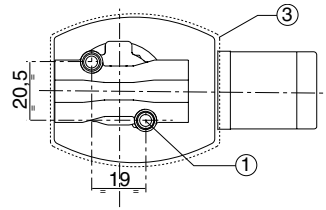
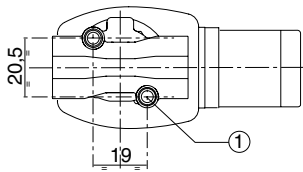
#### TYPE 01

Electrical interface "S1"  
Epoxy moulded  
IEC 335 / ISO 4400  
IP65



#### TYPE 02

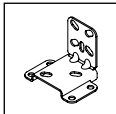
Electrical interface "S1"  
Epoxy moulded  
IEC 335 / ISO 4400  
IP65



type	A	B	C	D	E	F	G	H	X	weight <sup>(2)</sup>
01 (NC)	91	51	30	48	43	65	76	104	32	0,5
02 (NC)	95	57	33	48	50	69	80	107	32	0,63
02 (NO)	96	59	34	48	52	69	80	107	32	0,65

- ① 2 mounting holes M5 dia., depth 6 mm.
- ② Manual operator location.
- ③ NO version only.

<sup>(2)</sup> Incl. coil(s) and connector(s).



#### Mounting bracket

Steel or stainless steel

M200094A00 / M200095A00

