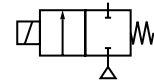


## PILOT VALVES

normally closed, direct operated  
threaded body, 1/8 and M10  
Ø6 mm push-in fitting

NC



2/2  
Series  
257

### FEATURES

- Two way NC pilot valves for dust collector service
- Normally closed direct acting
- Rugged forged brass body construction
- Designed for panel mounting
- Compact, low weight construction
- The components satisfy all relevant EC directives

### GENERAL

**Differential pressure (PS)** 0 - 8,5 bar [1 bar = 100kPa]  
**Response times** 8 ms

fluids	temperature range (TS)	seal material
air	0 to +75°C	NBR (nitrile)



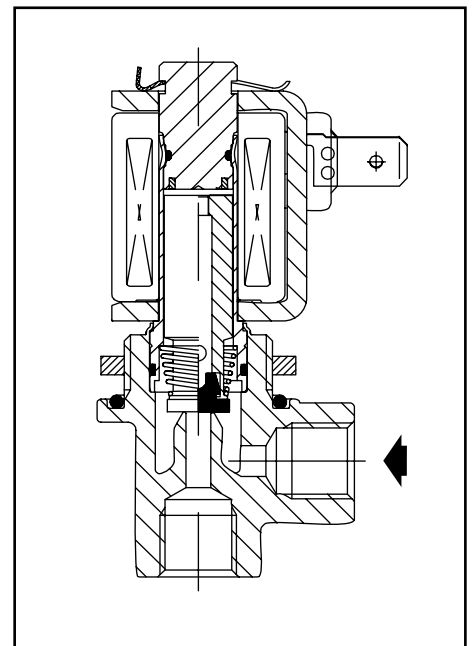
### CONSTRUCTION

**Body** Brass  
**Core tube** Stainless steel  
**Core and plugnut** Stainless steel  
**Springs** Stainless steel  
**Shading coil** Copper  
**Connection** Spades 2x DIN-46244 (A 6.3x0.8) or  
leaded coil 460 mm

### ELECTRICAL CHARACTERISTICS

**Standard voltages** DC (=) : 24V  
(Other voltages and 60 Hz on request) AC (~) : 24V - 115V - 230V / 50 Hz

coil type	nominal power ratings				ambient temperature range (°C)	protection
	inrush ~ (VA)	holding ~ (VA) (W)		hot/cold = (W)		
		(VA)	(W)	(W)		
UCM22-FI (1)	20,4	13,6	10	15/22	0 to +75	IPO0



### SPECIFICATIONS

pipe connection		orifice size (mm)	flow coefficient Kv		operating pressure differential (bar)			coil type		catalogue number	
inlet	outlet		(m³/h)	(l/min)	min	maximum (PS)		~	=	spades	coiled
<b>Threaded pipe connection</b>											
Rp 1/8	Rp 1/8	3,6	0,35	5,8	0	8,5	8,5	UCM22-FI	UCM22-FI	US E257A001	UL E257A001
<b>Integrated push-in fitting</b>											
Ø 6mm	Rp 1/8	3,6	0,35	5,8	0	8,5	8,5	UCM22-FI	UCM22-FI	US E257A002	UL E257A002
<b>Threaded inlet for compression fitting for 6 mm nut + olive (Legris)</b>											
M10 x 1,0	Rp 1/8	3,6	0,35	5,8	0	8,5	8,5	UCM22-FI	UCM22-FI	US E257A003	UL E257A003

(1) Intermittent duty, Relative Duty Time is 10%. Max. on time 1 min.

X003GB-2009/R8 Availability, design and specifications are subject to change without notice. All rights reserved.

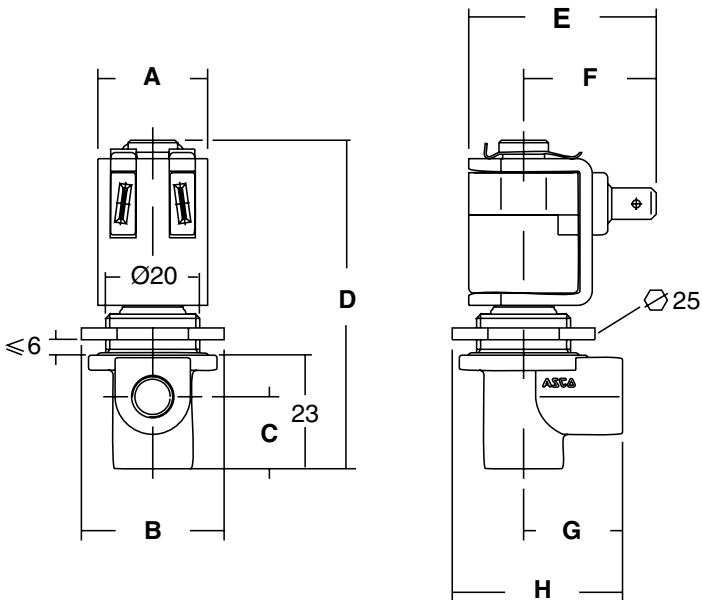
### OPTIONS

- Epoxy moulded leaded coils or coils with spade plug connector (3 x DIN-46244)
- Pipe connection E = Rp (ISO 7/1) or compression type fitting inlet
- Pilot valves can be equipped with explosion proof solenoids for hazardous locations according to "ATEX" and national standards

### INSTALLATION

- The solenoid valves are open frame constructions, designed for panel mount or stand alone and can be installed in any position without affecting operation
- Recommended maximum panel thickness is 6,0 mm and panel passage Ø 20 mm
- Installation/maintenance instructions are included with each valve
- Replacement coils are available

### DIMENSIONS (mm), WEIGHT (kg)



catalogue number E257	A	B	C	D	E	F	G	H	weight
All types	22	29	15	67	38	27	20	34	0,18